

# Highload Anchor SLZ

Steel, zinc plated



Highload Anchor SLZ-S



Highload Anchor SLZ-B



**Range of loading:** 5,7 kN – 18,7 kN

**Range of concrete quality:** C20/25 - C50/60

## Approvals and Certificates



## Description

The Highload Anchor SLZ with the diameter 14/M10 is a torque controlled sleeve anchor (ETA, Option 1) for through fastenings in cracked and non-cracked concrete. With a drill hole diameter of 14mm, it is ideal for through fastenings in pallet racks with a 15mm clearance hole. The four part extension sleeve inserts the load smoothly into the concrete. The plastic-coated cone ensures the post-expansion. Two different models of the Highload Anchor SLZ are available: SLZ-S with hexagon head and SLZ-B with threaded bolt and nut.

## Advantages

- High tension and shear loads
- Screw model (SLZ-S) for finished surfaces
- Can be dismantled with a flush surface result (only the cone and expansion sleeve remain in the drill-hole)
- Small edges distances and spacings
- Ideal external diameter and diameter of drill hole for clearance holes with 15mm diameter
- Approved to use under fire exposure R30-R120

## Applications

Medium to heavy duty anchoring in cracked and non-cracked concrete, e.g. pallet racks, base plates, machines.

### Highload anchor SLZ-S



→ Steel, zinc plated; with hexagon head

→ Approved for cracked and non-cracked concrete

Description	Ref. No.	Drill hole Ø x depth mm	Drill hole depth through fixture mm	Setting depth mm	Anchor length l mm	Fixture thickness t <sub>fix</sub> mm	Thread	Pkg. cont. pcs.	Weight per pkg. kg
SLZ-S 14-10	15260101	14x85	95	73	94	10	M10	25	2,71
SLZ-S 14-25	15270101	14x85	110	73	109	25	M10	25	3,08
SLZ-S 14-50	15275101	14x85	135	73	134	50	M10	25	3,71

Other lengths and special assemblies on demand.

### Highload anchor SLZ-B



→ Steel, zinc plated; with bolt and nut

→ Approved for cracked and non-cracked concrete

Description	Ref. No.	Drill hole Ø x depth mm	Drill hole depth through fixture mm	Setting depth mm	Anchor length l mm	Fixture thickness t <sub>fix</sub> mm	Thread	Pkg. cont. pcs.	Weight per pkg. kg
SLZ-B 14-25	17270101	14x85	110	73	111	25	M10	25	3,08

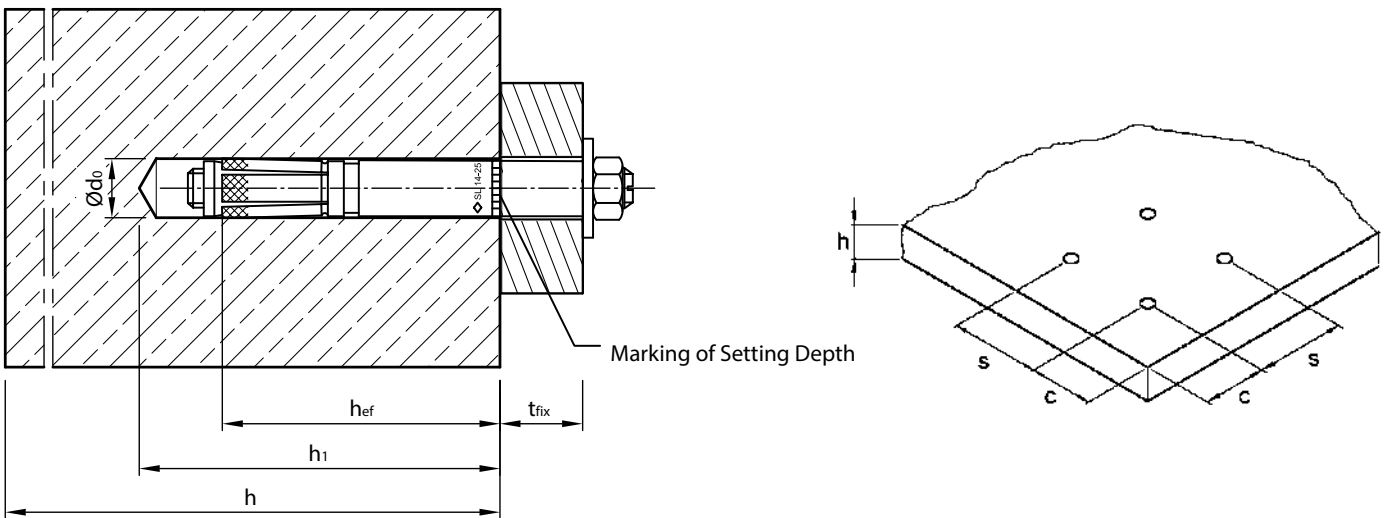
Other lengths and special assemblies on demand.



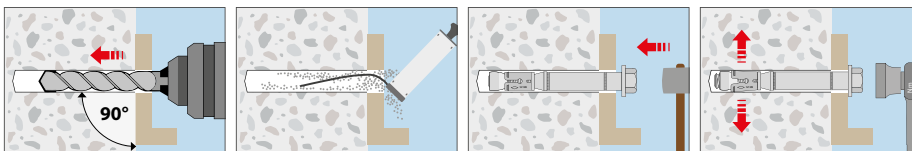
**Extract from Permissible Service Conditions of European Technical Assessment ETA-09/0342.**

Approved loads without influence of spacing and edge distance. Total safety factor as per ETAG included ( $\gamma_M$  and  $\gamma_P$ ). Load capacities under fire exposure see page 167.

Loads and performance data	Highload Anchor SLZ	SLZ 14 M 10
cracked concrete		
Approved loads, tension	C20/25 appr. N [kN]	5,7
	C25/30 appr. N [kN]	6,3
	C30/37 appr. N [kN]	7,0
	C40/50 appr. N [kN]	8,1
	C50/60 appr. N [kN]	8,9
non-cracked concrete		
Approved loads, tension	C20/25 appr. N [kN]	9,5
	C25/30 appr. N [kN]	10,4
	C30/37 appr. N [kN]	11,6
	C40/50 appr. N [kN]	13,5
	C50/60 appr. N [kN]	14,8
cracked concrete		
Approved loads, shear	C20/25 appr. V [kN]	18,0
	> C25/30 appr. V [kN]	18,7
non-cracked concrete		
Approved loads, shear	C20/25 appr. V [kN]	18,7
	> C25/30 appr. V [kN]	18,7
cracked and non-cracked concrete		
Approved bending moments	appr. M [Nm]	34,3
<b>Spacing and edge distance</b>		
Effective anchorage depth	$h_{ef}$ [mm]	65
Characteristic spacing	$s_{cr,N}$ [mm]	195
Characteristic edge distance	$c_{cr,N}$ [mm]	97,5
Minimum spacing / for edge distance c	$s_{min} / c \geq$ [mm]	60 / 120
Minimum edge distance / for spacing s	$c_{min} / s \geq$ [mm]	70 / 130
Minimum thickness of concrete slab	$h_{min}$ [mm]	130
<b>Installation parameters</b>		
Drill hole diameter	$d_o$ [mm]	14
Diameter of clearance hole in the fixture	$d_{r \leq}$ [mm]	16
Depth of drill hole	$h_1 \geq$ [mm]	85
Installation torque	$T_{inst}$ [Nm]	50
Width across nut	SW [mm]	17



**Installation**



Mechanical Heavy Duty Anchors